

4

3

2

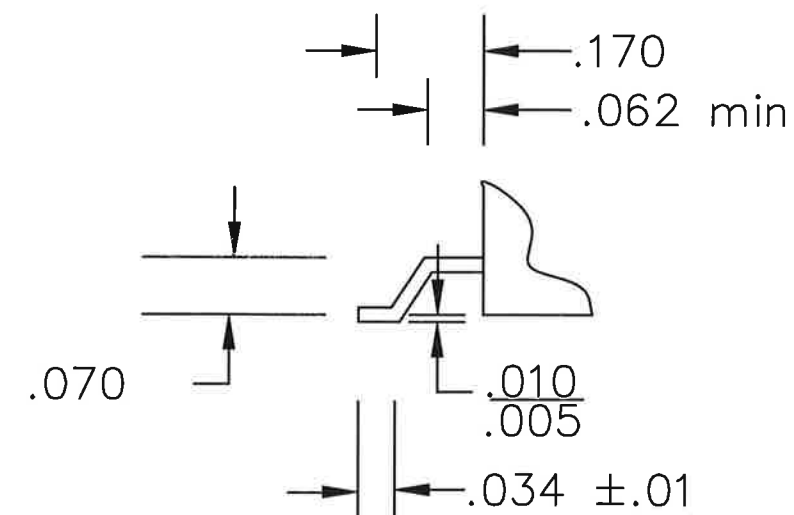
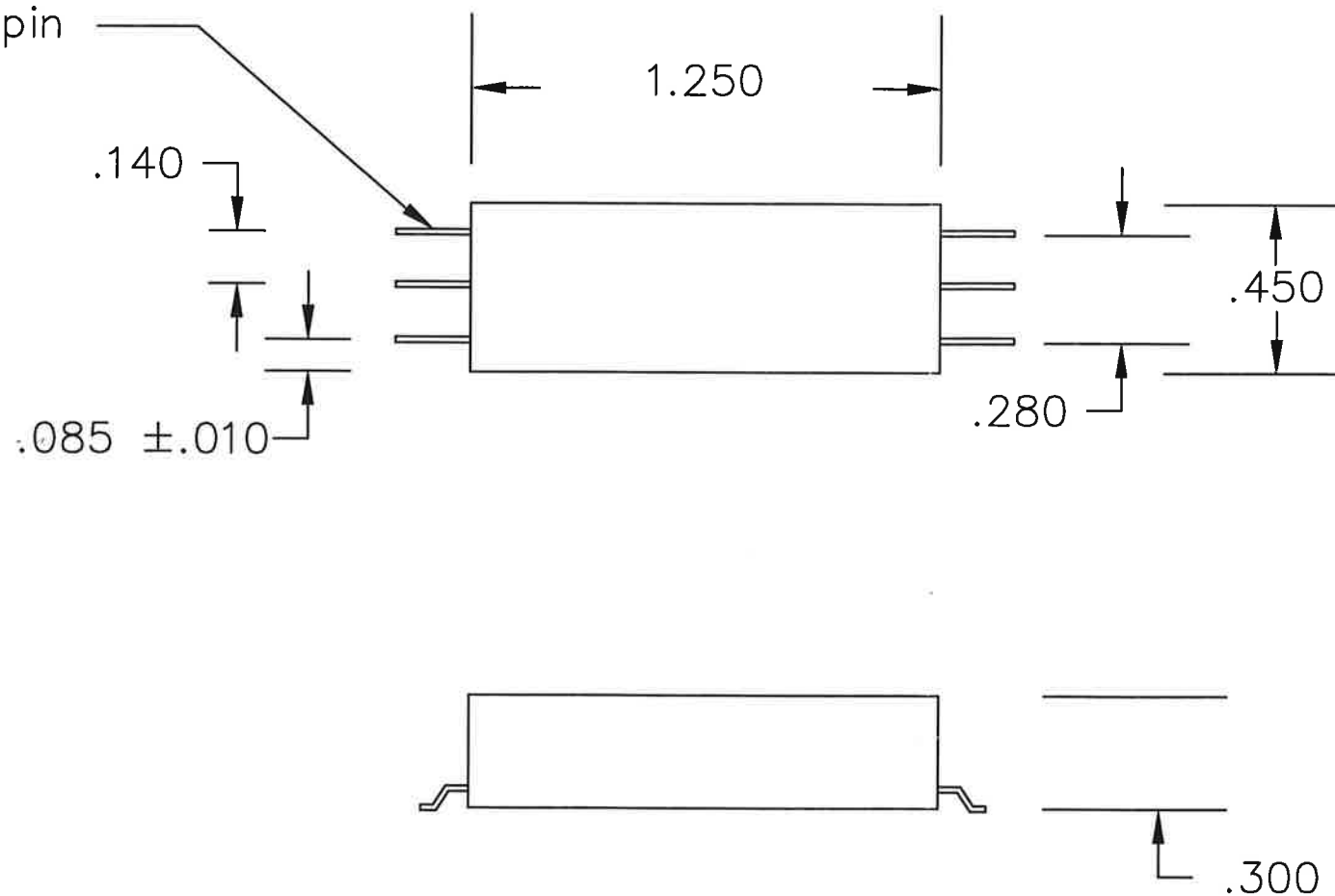
CAGEC 1K3H5 DWG NO 700081

SH 1 REV 1

1

REVISIONS			
REV	DESCRIPTION	DATE	APPROVED
1	Chg Material per cust. spec.	6/11/02	<i>BE</i>

.017 ±.002 Dia typ pin



TYP PIN CONFIGURATION

THE INFORMATION CONTAINED IN THIS DRAWING IS THE SOLE PROPERTY OF BREE ENGINEERING. ANY REPRODUCTION IN PART OR WHOLE WITHOUT THE WRITTEN PERMISSION OF BREE ENGINEERING IS PROHIBITED.

UNLESS OTHERWISE SPECIFIED DIMENSIONS ARE IN INCHES & TOLERANCES ARE: .XXX .XX ANGLES ±.005 ±.01	CAD GENERATED DRAWING DO NOT MANUALLY UPDATE		BREE ENGINEERING
	DWN LN	DATE 05-07-02	
MATERIAL 1/2 hd Brass	CHK	RESP ENG	OUTLINE
	MFG ENG	QUAL ENG	
	Scale for REFERENCE ONLY		
	SIZE B	CAGE CODE 1K3H5	DWG NO 700081
			REV 1
	SCALE 4:1	SHEET 1 OF 1	

4

3

2

1