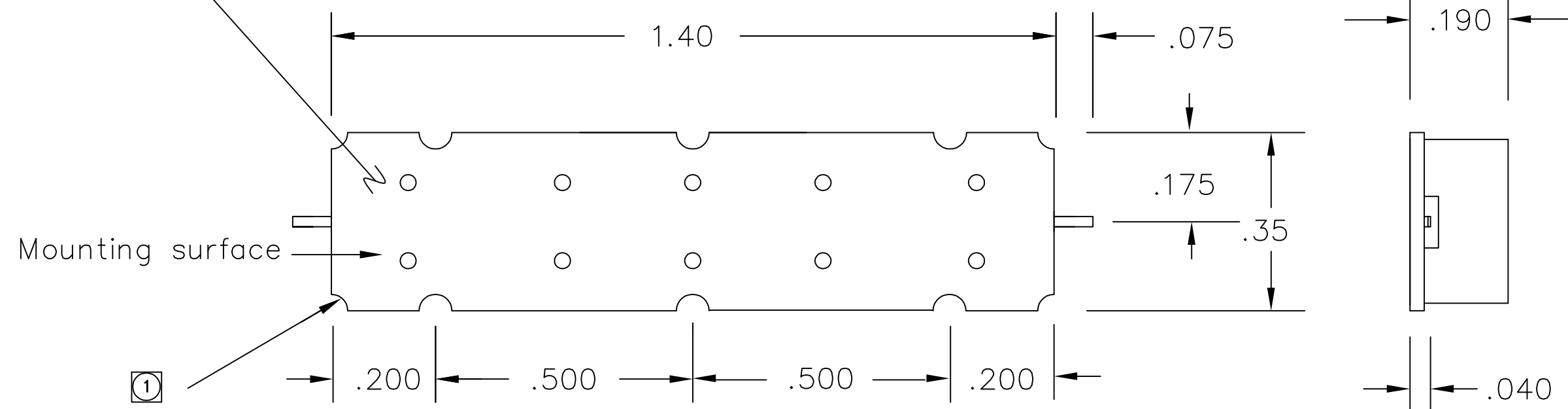


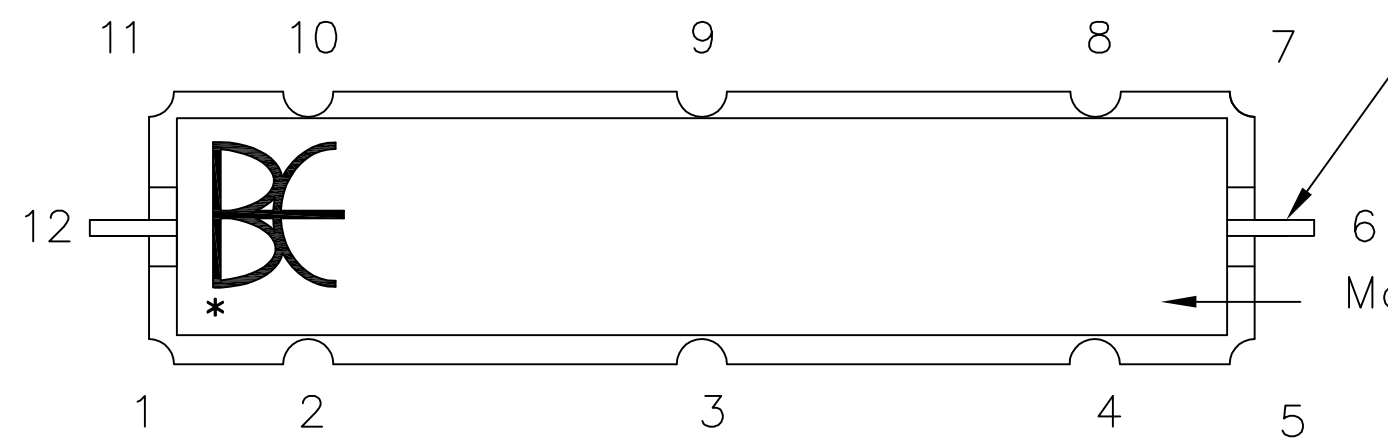
REVISIONS			
REV	DESCRIPTION	DATE	APPROVED
1	add callout for gold plating	9/18/13	

Finish Gold Plated per Mil-G45204C Class C



① R .032 TYP  
10 PL  
(PLATED THRU)

.020x.002 AG ribbon tinned in SN63 solder (2 Pls)



CONTACT I/O  
(TOP VIEW)

① Location of plated thru holes are to be held at +/- .005.

THE INFORMATION CONTAINED IN THIS DRAWING IS THE SOLE PROPERTY OF BREE ENGINEERING. ANY REPRODUCTION IN PART OR WHOLE WITHOUT THE WRITTEN PERMISSION OF BREE ENGINEERING IS PROHIBITED.

UNLESS OTHERWISE SPECIFIED DIMENSIONS ARE IN INCHES & TOLERANCES ARE: .XXX .XX ANGLES ±.005 ±.01	CAD GENERATED DRAWING DO NOT MANUALLY UPDATE		BREE ENGINEERING
	DWN LN	DATE 9/4/13	
MATERIAL Nelco 4000-13-EP Gold Plated per Mil-G-45204C Class C	CHK BE	DATE 9/4/13	OUTLINE
	RESP ENG		
MATERIAL 1/4 to 1/2 HD 770 .010 THK	MFG ENG		SIZE CAGE CODE DWG NO B 1K3H5 700228
	QUAL ENG		
Scale for REFERENCE ONLY			REV 1
			SHEET 1 OF 1