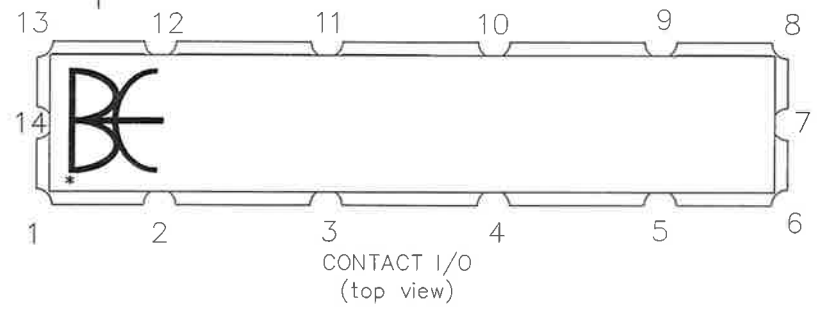
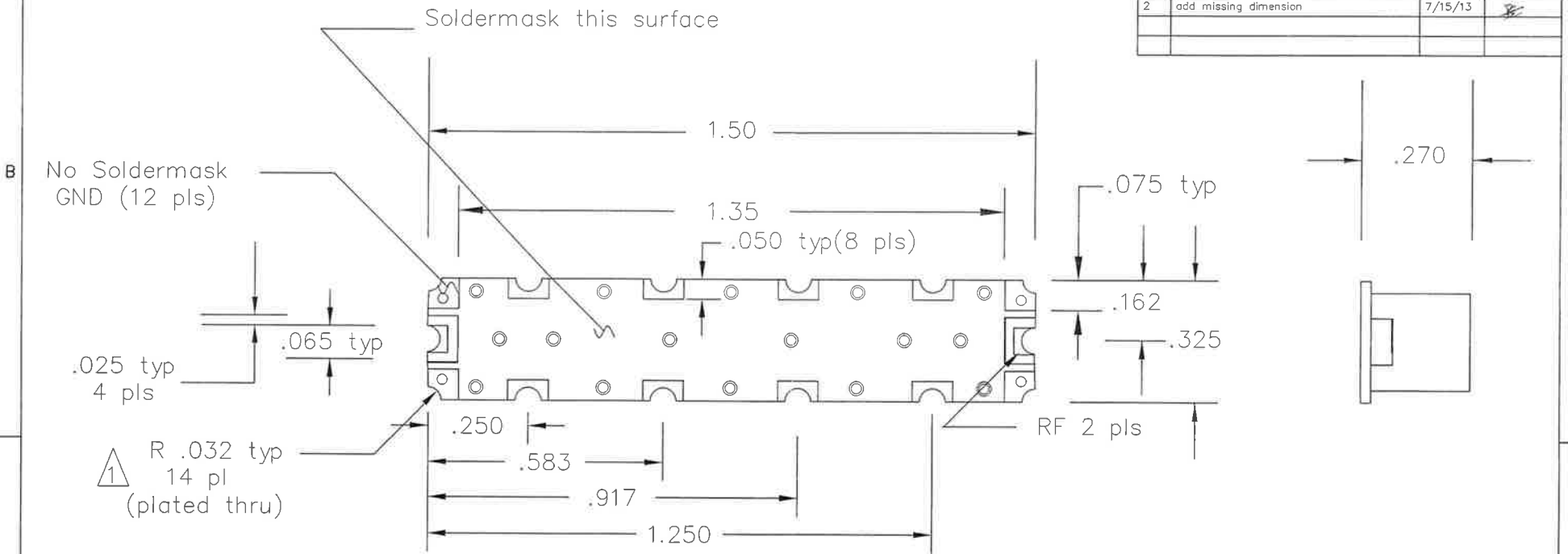


REVISIONS			
REV	DESCRIPTION	DATE	APPROVED
1	Add notes 2 thru 4	3/21/13	BE
2	add missing dimension	7/15/13	<i>[Signature]</i>



- 4 Contacts 2 thru 5 & 9 thru 12 Ground (Optional)
- 3 Contacts 1,6,8 & 13 required grounds
- 2 Contacts 7 & 14 RF I/O

① Location of plated thru holes are to be held at  $\pm .005$

THE INFORMATION CONTAINED IN THIS DRAWING IS THE SOLE PROPERTY OF BREE ENGINEERING. ANY REPRODUCTION IN PART OR WHOLE WITHOUT THE WRITTEN PERMISSION OF BREE ENGINEERING IS PROHIBITED.

UNLESS OTHERWISE SPECIFIED DIMENSIONS ARE IN INCHES & TOLERANCES ARE: .XXX .XX ANGLES ±.005 ±.01	CAD GENERATED DRAWING DO NOT MANUALLY UPDATE		BEE BREE ENGINEERING  <b>OUTLINE</b>
	DWN LN	DATE	
	CHK BE	3/7/12	
	RESP ENG		
MATERIAL Nelco 4000-13-EP 1/4 TO 1/2 HD 770 .010 THK	MFG ENG		
	QUAL ENG		
	Scale for REFERENCE ONLY		
	SIZE	CAGE CODE	DWG NO
	B1K3H5		700201
	SCALE N/A		REV 2
			SHEET 1 OF 1