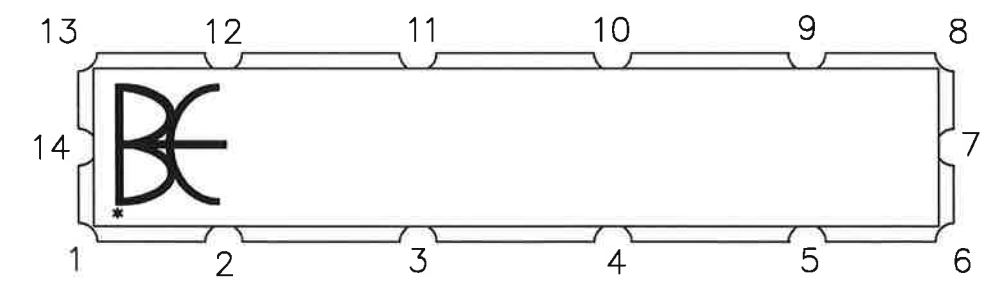
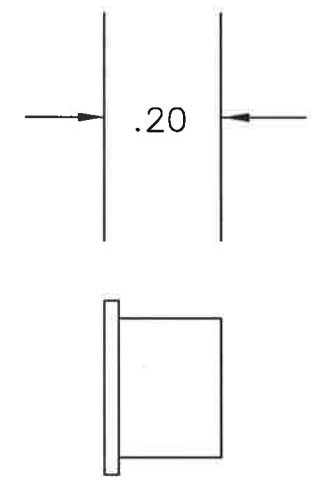
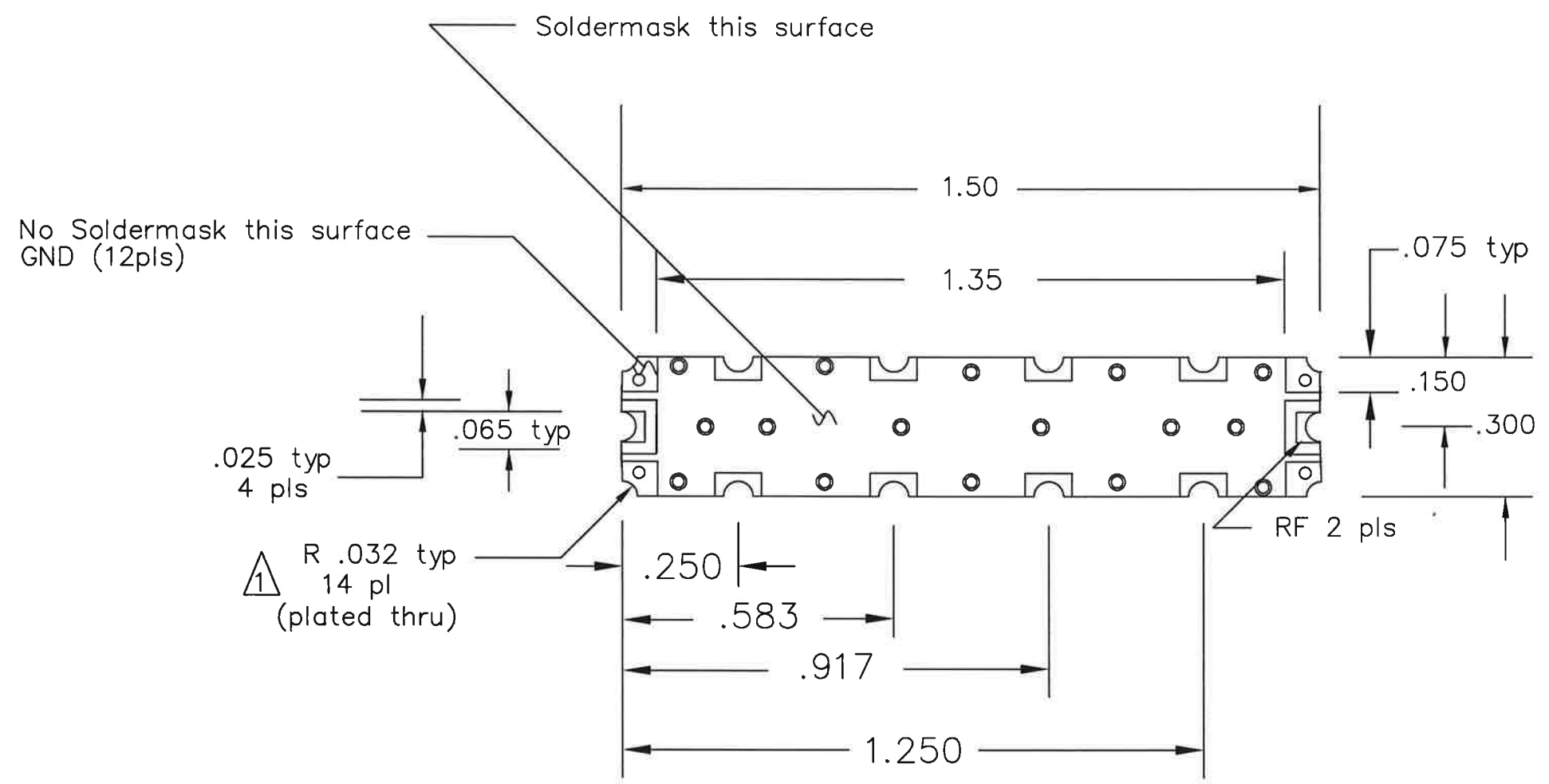


REVISIONS			
REV	DESCRIPTION	DATE	APPROVED
1	Add castillations	3/6/12	BE
2	Change Height	1/5/15	LN
3	Change Height tolerance	10/14/16	<i>LN</i>



CONTACT I/O
(top view)

\triangle Location of plated thru holes are to be held at $\pm .005$

THE INFORMATION CONTAINED IN THIS DRAWING IS THE SOLE PROPERTY OF BREE ENGINEERING. ANY REPRODUCTION IN PART OR WHOLE WITHOUT THE WRITTEN PERMISSION OF BREE ENGINEERING IS PROHIBITED.

UNLESS OTHERWISE SPECIFIED DIMENSIONS ARE IN INCHES & TOLERANCES ARE: .XXX .XX ANGLES $\pm .005 \pm .01$	CAD GENERATED DRAWING DO NOT MANUALLY UPDATE		BE BREE ENGINEERING
	DWN LN	DATE 11/11/11	
MATERIAL Nelco 4000-13-EP 1/4 TO 1/2 HD 770 .010 THK	CHK BE	DATE 11/11/11	OUTLINE
	RESP ENG		
	MFG ENG		
	QUAL ENG		SIZE CAGE CODE DWG NO B 1K3H5 700196
	Scale for REFERENCE ONLY		REV 3
			SCALE N/A SHEET 1 OF 1