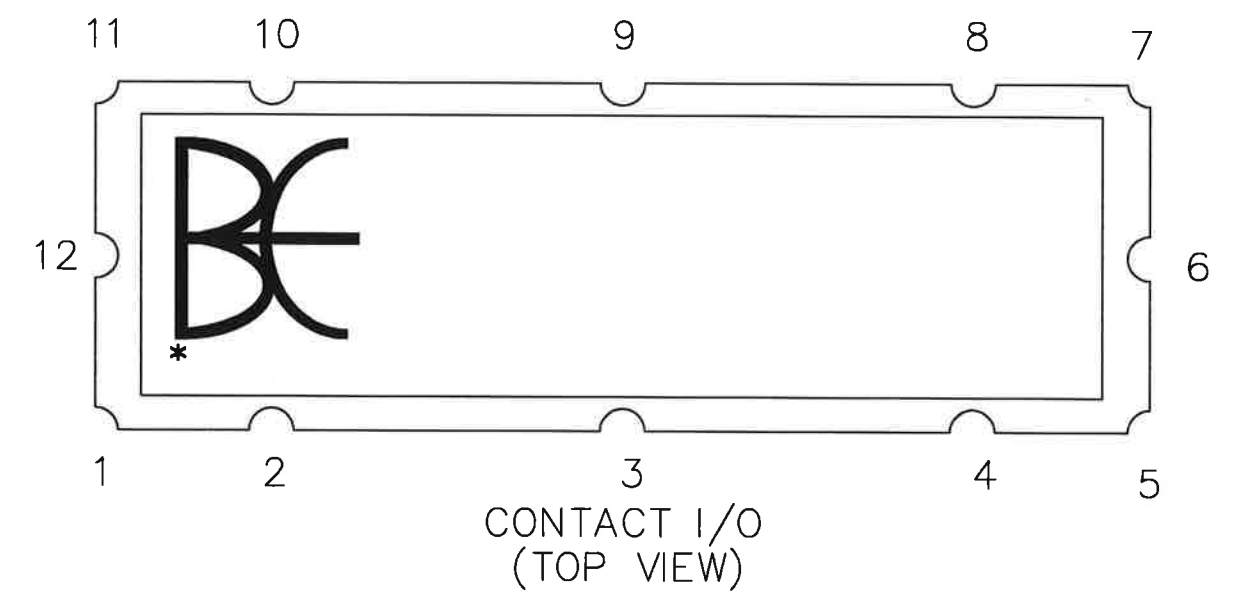
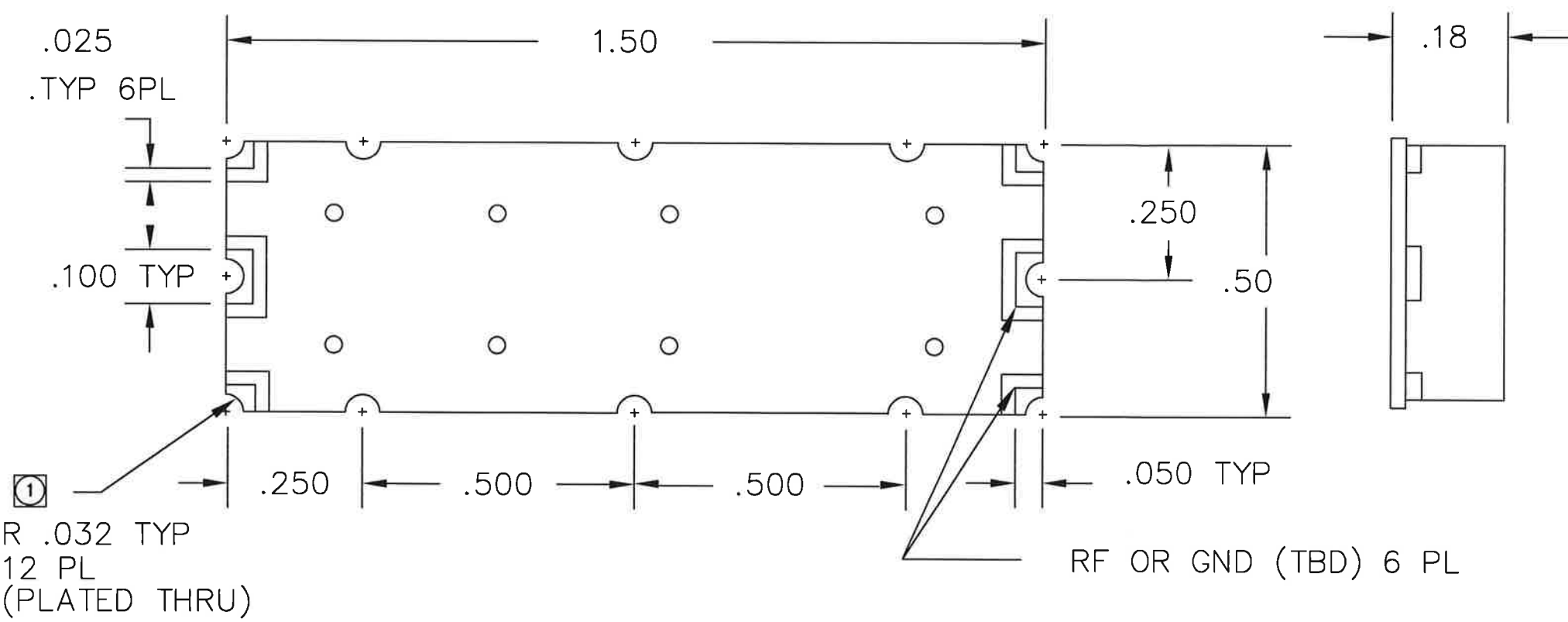


REVISIONS			
REV	DESCRIPTION	DATE	APPROVED
1	Change material	4/8/16	<i>BE</i>



① Location of plated thru holes are to be held at +/- .005.

THE INFORMATION CONTAINED IN THIS DRAWING IS THE SOLE PROPERTY OF BREE ENGINEERING. ANY REPRODUCTION IN PART OR WHOLE WITHOUT THE WRITTEN PERMISSION OF BREE ENGINEERING IS PROHIBITED.

UNLESS OTHERWISE SPECIFIED DIMENSIONS ARE IN INCHES & TOLERANCES ARE: .XXX .XX ANGLES ±.005 ±.01	CAD GENERATED DRAWING DO NOT MANUALLY UPDATE		BEE BREE ENGINEERING	
	DWN LN	DATE	OUTLINE	
MATERIAL	CHK BE	6/21/10		
Nelco 4000-13-EP	RESP ENG			
MATERIAL	MFG ENG		SIZE	CAGE CODE
Nickel	QUAL ENG		B	1K3H5
	Scale for REFERENCE ONLY		DWG NO	700190
			REV	1
			SCALE 4:1	SHEET 1 OF 1