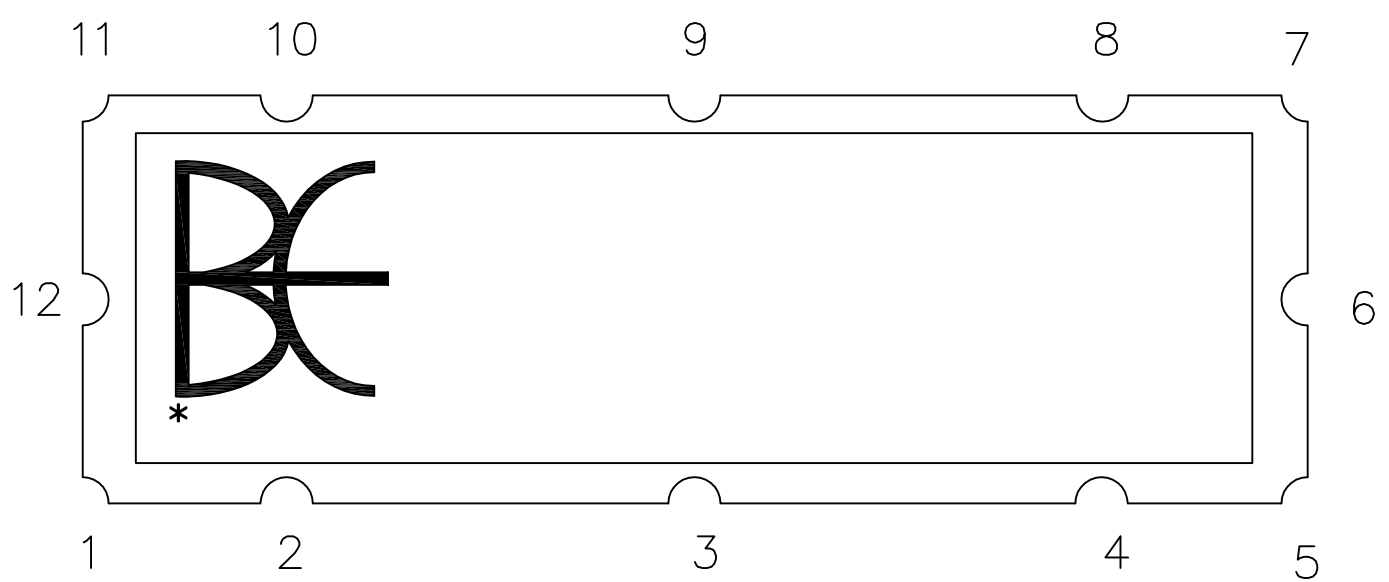
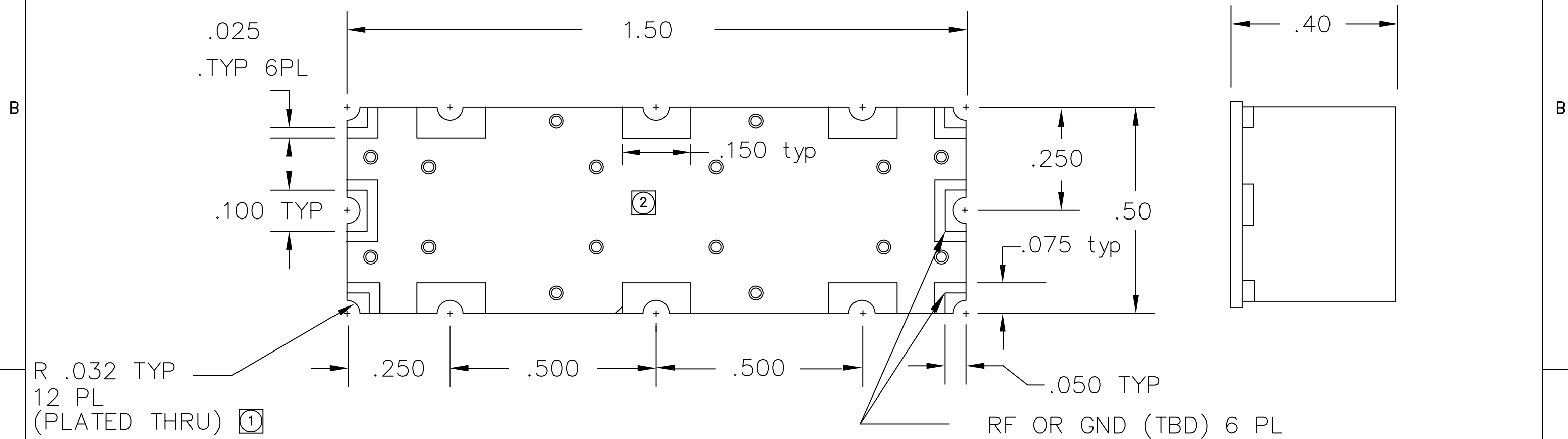


REVISIONS			
REV	DESCRIPTION	DATE	APPROVED
1	Add marerial call out	8/1/12	



CONTACT I/O (TOP VIEW)

- ② Solder Mask: SR1000, LPI or equivalent.
- ① Location of plated thru holes are to be held at +/- .005.

THE INFORMATION CONTAINED IN THIS DRAWING IS THE SOLE PROPERTY OF BREE ENGINEERING. ANY REPRODUCTION IN PART OR WHOLE WITHOUT THE WRITTEN PERMISSION OF BREE ENGINEERING IS PROHIBITED.

UNLESS OTHERWISE SPECIFIED DIMENSIONS ARE IN INCHES & TOLERANCES ARE: .XXX .XX ANGLES ±.005 ±.01	CAD GENERATED DRAWING DO NOT MANUALLY UPDATE		BREE ENGINEERING
	DWN BE	DATE 07-20-01	
MATERIAL Nelco 4000-13-EP 1/4 to 1/2 HD 770 .010 THK	CHK	RESP ENG	OUTLINE
MATERIAL N/A	MFG ENG	QUAL ENG	
	Scale for REFERENCE ONLY		SIZE CAGE CODE DWG NO REV B 1K3H5 700058 1
	SCALE 4:1		SHEET 1 OF 1